



# Saflec<sup>(Pty) Ltd.</sup>



Specialists in Access Control and Metal Detection



The PPMZ was designed as a quality security detector with a pleasing aesthetic appearance and all of the features found in the up market units available and even a few extras too!

The unit incorporates multiple detector coils in each side making up 9 individual detection zones and infra-red photocells for activation when a person passes through. When a presettable amount of metal passing through the unit is exceeded, an indication is given by means of lights down each side as to the position of the metal detected. In addition an audio alarm is given, the frequency of which increases in proportion to the vertical positioning of the metal. This means that security personnel are made aware of the position of the metal being carried without having to look at the visual signals. Voltage free contacts are provided to actuate a remote alarm or lock a turnstile on detection of metal. The unit has a password protected touch screen for control functions and diagnostics.

The detector frame is constructed from fiberglass which ensures that the unit is robust and durable, and will not deteriorate with time. It is light and can easily be manoeuvred by one person. The shape has been designed to be aesthetically pleasing and modern.

Five metres of mains cable is supplied as standard, entering the unit from roof level. The detector is normally stocked in a light grey, but alternative colours can be specified.

The PPMZ is assembled from 5 sections for ease of transport. These sections consist of the four legs (1 top and 1 bottom for each side) and the top Bridge Piece forming the Archway. Each section simply clips together and is fastened securely with sturdy fasteners. All the electrical connections are made with top quality spring loaded connectors, so no additional wiring is required.

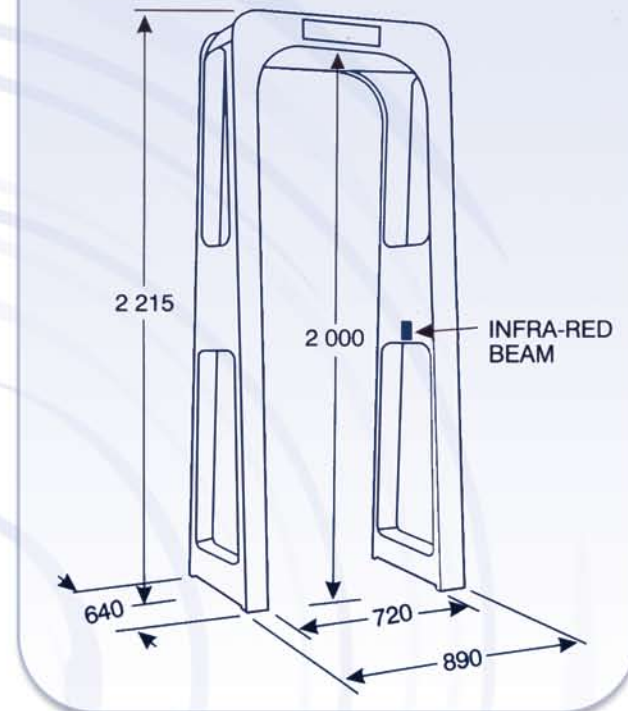




### Features

- Detects ferrous and non-ferrous metals
- Free Standing Durable fiberglass construction, supplied in 5 individual sections.
- Available in various colours
- Self test Infra-red photocells with traffic count to monitor movement through the detector
- Interlocking relays
- Audio alarm with increasing pitch to indicate in which of 3 vertical zones the metal is carried.
- 5-part design for ease of assembly and transportation (done using reliable contacts, no connectors)
- Each 2 part leg is assembled and secured by sturdy fasteners and connectors.
- Touch screen operation for individual sensitivity setting per zone
- Password protected

### Dimensions



### Specifications

#### Dimensions

Passage Interior: Width 720mm Height 2000mm Depth 720 mm  
Overall Exterior: Width 890mm Height 2215mm Depth 640mm  
Shipping Weight: 45Kg

#### Operating Conditions

Temperature: -10 Deg C to +60 Deg C  
Humidity: Up to 95% non-condensing

Supply Voltage 220 volt/110 volt 50/60 HZ ± 5%

Power Consumption 5,5 VA

### Applications

Airports  
Sporting events  
Rallies  
Public buildings  
Mining  
Law courts  
Prisons  
Night Clubs  
Industrial premises  
Banks

### Accessories

Water proof lid (for out door use)  
Portable carry case

### Contact Information

Tel: +27 11 477 4760  
Fax: +27 11 477 5789

E-mail: [info@saflec.com](mailto:info@saflec.com)

Website: [www.saflec.com](http://www.saflec.com)

Physical Address: 48 Richard Road, Industria North, Gauteng, South Africa.  
Postal Address: P.O.Box 1773, Rivonia, 2128, Gauteng, South Africa.

